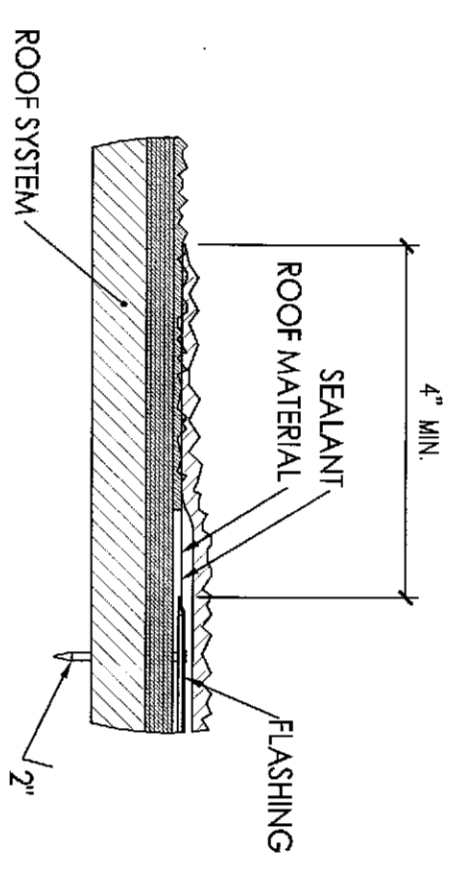
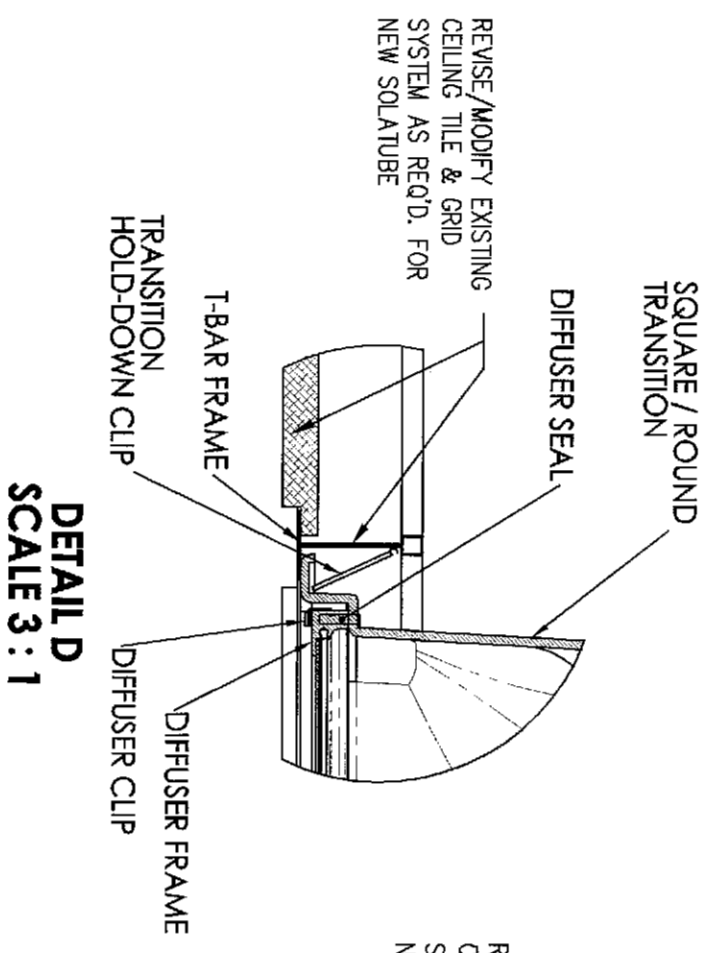


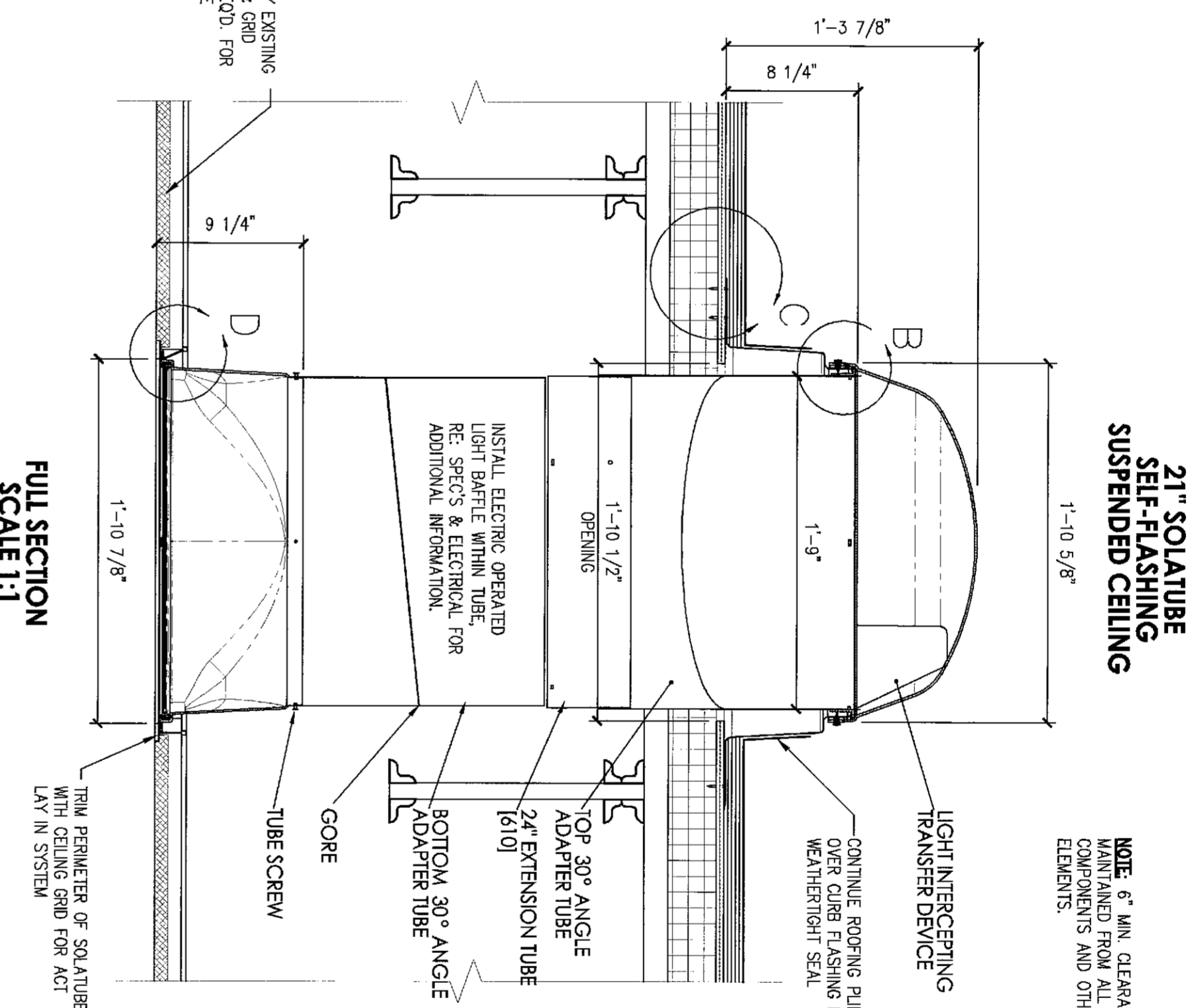
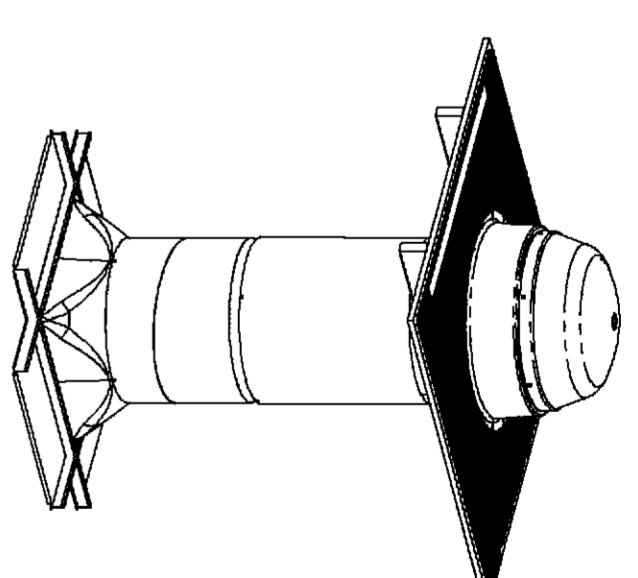
DETAIL B  
SCALE 3:1



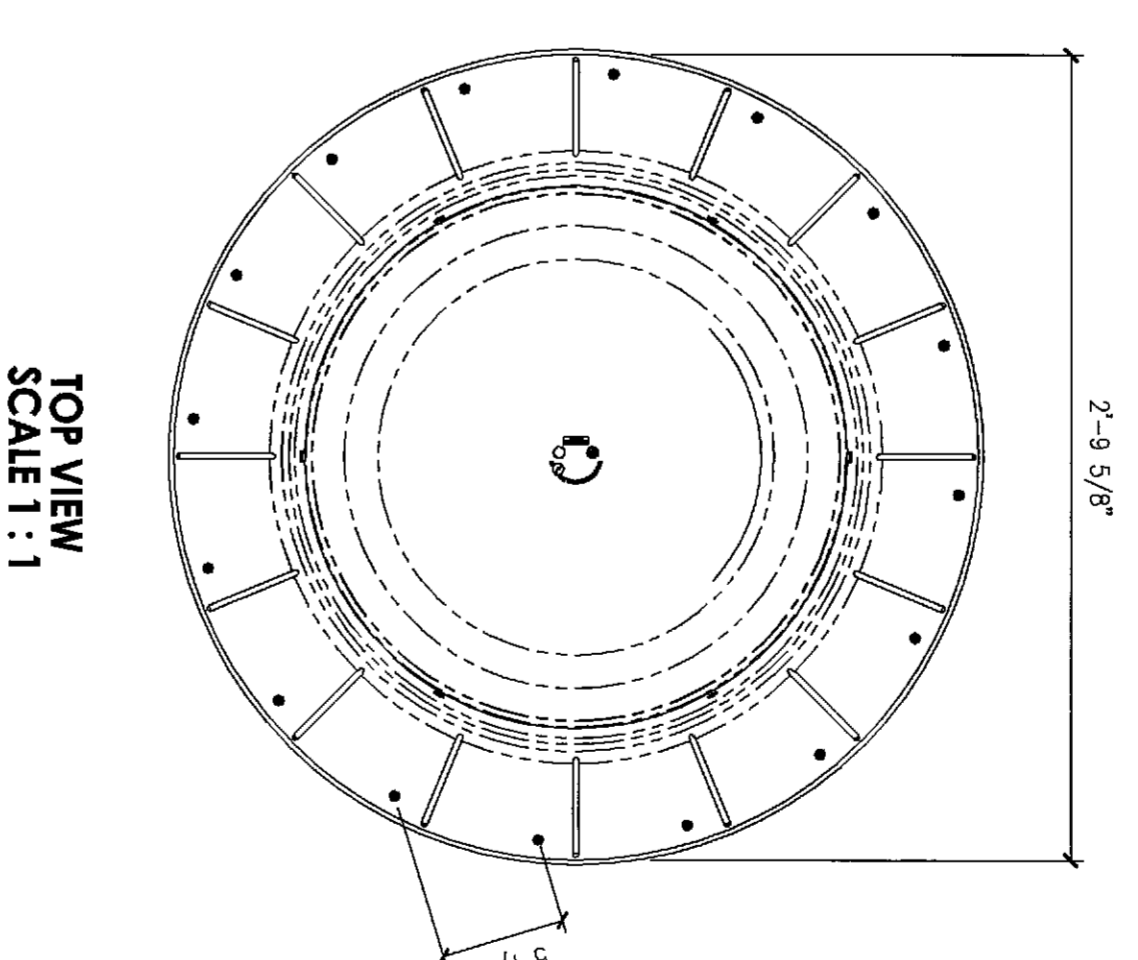
DETAIL C  
SCALE 3:1



DETAIL D  
SCALE 3:1



FULL SECTION  
SCALE 1:1



TOP VIEW  
SCALE 1:1

21" SOLATUBE  
SELF-FLASHING  
SUSPENDED CEILING

NOTE: 6" MIN. CLEARANCE SHALL BE PROVIDED FROM OTHER CEILING ELEMENTS.

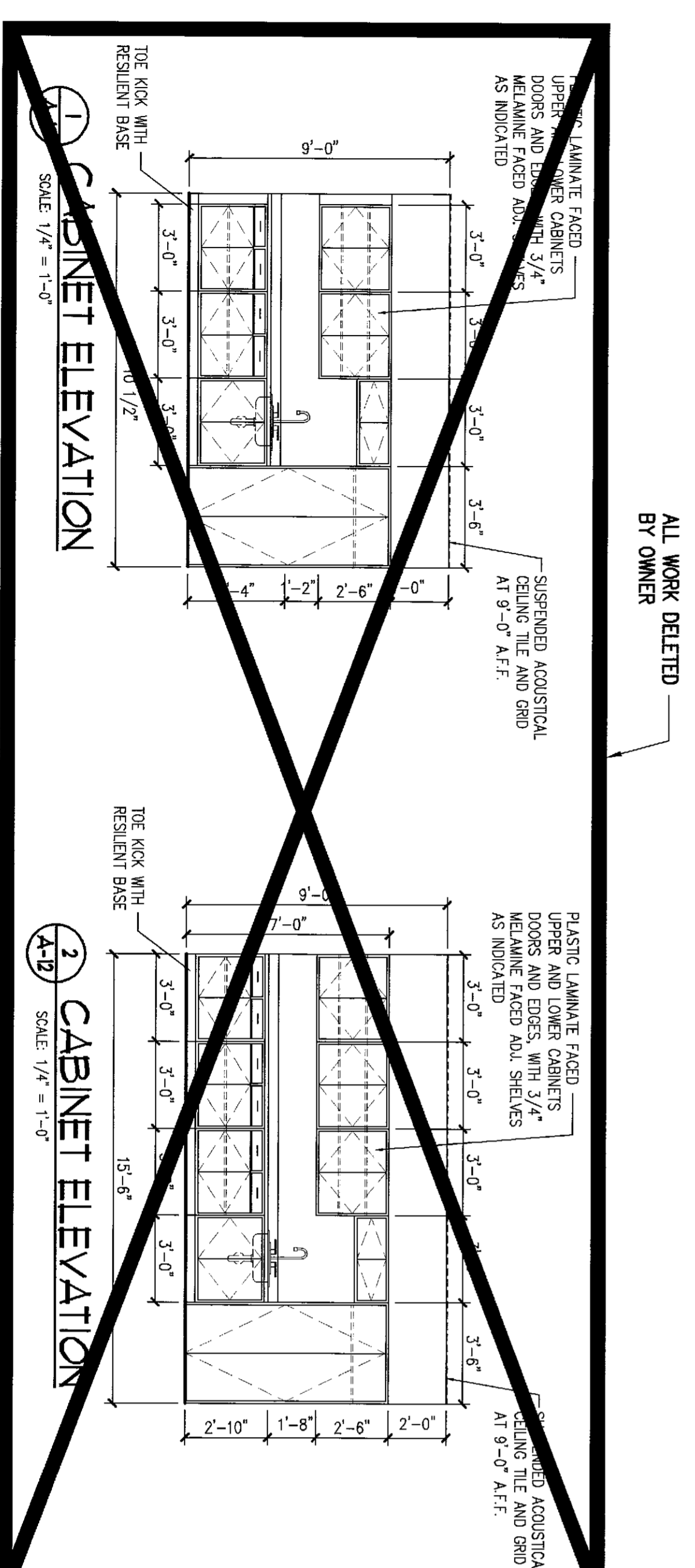
3 SOLATUBE DETAILS  
SCALE: 1-1/2" = 1'-0"  
FOR ALL SCALES 1:1

ROOM FINISH SCHEDULE

ROOM NUMBER	ROOM NAME	MATERIAL	FINISH	WALLS				CEILING		REMARKS
				FLOOR	NORTH	EAST	SOUTH	WEST	FINISH	
102	RECEIVED KITCHEN	CONC	-	RB	QUU	PT	-	QUU	PT	-
103	RECEIVED THEAT	CONC	-	RB	QUU	PT	-	QUU	PT	-
105	RECEIVED ASSEMBLY	CONC	-	RB	QUU	PT	-	QUU	PT	-
108	RECEIVED CORRIDOR	CONC	GPT	RB	QUU	PT	-	QUU	PT	-
109	RECEIVED CLASSROOM	CONC	GPT	RB	QUU	PT	-	QUU	PT	-
109	RECEIVED CLASSROOM	CONC	GPT	RB	QUU	PT	-	QUU	PT	-
110	RECEIVED CLASSROOM	CONC	GPT	RB	QUU	PT	-	QUU	PT	-
111	RECEIVED CLASSROOM	CONC	GPT	RB	QUU	PT	-	QUU	PT	-
112	RECEIVED CLASSROOM	CONC	GPT	RB	QUU	PT	-	QUU	PT	-
113	RECEIVED CLASSROOM	CONC	GPT	RB	QUU	PT	-	QUU	PT	-
114	RECEIVED CLASSROOM	CONC	GPT	RB	QUU	PT	-	QUU	PT	-
115	RECEIVED CLASSROOM	CONC	GPT	RB	QUU	PT	-	QUU	PT	-
116	RECEIVED CLASSROOM	CONC	GPT	RB	QUU	PT	-	QUU	PT	-
117	RECEIVED CLASSROOM	CONC	GPT	RB	QUU	PT	-	QUU	PT	-
118	RECEIVED CLASSROOM	CONC	GPT	RB	QUU	PT	-	QUU	PT	-
119	RECEIVED CLASSROOM	CONC	GPT	RB	QUU	PT	-	QUU	PT	-
120	RECEIVED CLASSROOM	CONC	GPT	RB	QUU	PT	-	QUU	PT	-
121	RECEIVED CLASSROOM	CONC	GPT	RB	QUU	PT	-	QUU	PT	-
122	RECEIVED CLASSROOM	CONC	GPT	RB	QUU	PT	-	QUU	PT	-
123	RECEIVED CLASSROOM	CONC	GPT	RB	QUU	PT	-	QUU	PT	-
124	RECEIVED CLASSROOM	CONC	GPT	RB	QUU	PT	-	QUU	PT	-
125	RECEIVED CLASSROOM	CONC	GPT	RB	QUU	PT	-	QUU	PT	-
126	RECEIVED CLASSROOM	CONC	GPT	RB	QUU	PT	-	QUU	PT	-
127	RECEIVED CLASSROOM	CONC	GPT	RB	QUU	PT	-	QUU	PT	-
128	RECEIVED CLASSROOM	CONC	GPT	RB	QUU	PT	-	QUU	PT	-
129	RECEIVED CLASSROOM	CONC	GPT	RB	QUU	PT	-	QUU	PT	-
130	RECEIVED CLASSROOM	CONC	GPT	RB	QUU	PT	-	QUU	PT	-
131	RECEIVED CLASSROOM	CONC	GPT	RB	QUU	PT	-	QUU	PT	-
132	RECEIVED CLASSROOM	CONC	GPT	RB	QUU	PT	-	QUU	PT	-
133	RECEIVED CLASSROOM	CONC	GPT	RB	QUU	PT	-	QUU	PT	-
134	RECEIVED CLASSROOM	CONC	GPT	RB	QUU	PT	-	QUU	PT	-
135	RECEIVED CLASSROOM	CONC	GPT	RB	QUU	PT	-	QUU	PT	-
136	RECEIVED CLASSROOM	CONC	GPT	RB	QUU	PT	-	QUU	PT	-
137	RECEIVED CLASSROOM	CONC	GPT	RB	QUU	PT	-	QUU	PT	-
138	RECEIVED CLASSROOM	CONC	GPT	RB	QUU	PT	-	QUU	PT	-
139	RECEIVED CLASSROOM	CONC	GPT	RB	QUU	PT	-	QUU	PT	-
140	RECEIVED CLASSROOM	CONC	GPT	RB	QUU	PT	-	QUU	PT	-
141	RECEIVED CLASSROOM	CONC	GPT	RB	QUU	PT	-	QUU	PT	-
142	RECEIVED CLASSROOM	CONC	GPT	RB	QUU	PT	-	QUU	PT	-
143	RECEIVED CLASSROOM	CONC	GPT	RB	QUU	PT	-	QUU	PT	-
144	RECEIVED CLASSROOM	CONC	GPT	RB	QUU	PT	-	QUU	PT	-
145	RECEIVED CLASSROOM	CONC	GPT	RB	QUU	PT	-	QUU	PT	-
146	RECEIVED CLASSROOM	CONC	GPT	RB	QUU	PT	-	QUU	PT	-
147	RECEIVED CLASSROOM	CONC	GPT	RB	QUU	PT	-	QUU	PT	-
148	RECEIVED CLASSROOM	CONC	GPT	RB	QUU	PT	-	QUU	PT	-
149	RECEIVED CLASSROOM	CONC	GPT	RB	QUU	PT	-	QUU	PT	-
150	RECEIVED CLASSROOM	CONC	GPT	RB	QUU	PT	-	QUU	PT	-
151	RECEIVED CLASSROOM	CONC	GPT	RB	QUU	PT	-	QUU	PT	-
152	RECEIVED CLASSROOM	CONC	GPT	RB	QUU	PT	-	QUU	PT	-
153	RECEIVED CLASSROOM	CONC	GPT	RB	QUU	PT	-	QUU	PT	-
154	RECEIVED CLASSROOM	CONC	GPT	RB	QUU	PT	-	QUU	PT	-
155	RECEIVED CLASSROOM	CONC	GPT	RB	QUU	PT	-	QUU	PT	-
156	RECEIVED CLASSROOM	CONC	GPT	RB	QUU	PT	-	QUU	PT	-
157	RECEIVED CLASSROOM	CONC	GPT	RB	QUU	PT	-	QUU	PT	-
158	RECEIVED CLASSROOM	CONC	GPT	RB	QUU	PT	-	QUU	PT	-
159	RECEIVED CLASSROOM	CONC	GPT	RB	QUU	PT	-	QUU	PT	-
160	RECEIVED CLASSROOM	CONC	GPT	RB	QUU	PT	-	QUU	PT	-
161	RECEIVED CLASSROOM	CONC	GPT	RB	QUU	PT	-	QUU	PT	-
162	RECEIVED CLASSROOM	CONC	GPT	RB	QUU	PT	-	QUU	PT	-
163	RECEIVED CLASSROOM	CONC	GPT	RB	QUU	PT	-	QUU	PT	-
164	RECEIVED CLASSROOM	CONC	GPT	RB	QUU	PT	-	QUU	PT	-
165	RECEIVED CLASSROOM	CONC	GPT	RB	QUU	PT	-	QUU	PT	-
166	RECEIVED CLASSROOM	CONC	GPT	RB	QUU	PT	-	QUU	PT	-
167	RECEIVED CLASSROOM	CONC	GPT	RB	QUU	PT	-	QUU	PT	-
168	RECEIVED CLASSROOM	CONC	GPT	RB	QUU	PT	-	QUU	PT	-
169	RECEIVED CLASSROOM	CONC	GPT	RB	QUU	PT	-	QUU	PT	-
170	RECEIVED CLASSROOM	CONC	GPT	RB	QUU	PT	-	QUU	PT	-
171	RECEIVED CLASSROOM	CONC	GPT	RB	QUU	PT	-	QUU	PT	-
172	RECEIVED CLASSROOM	CONC	GPT	RB	QUU	PT	-	QUU	PT	-
173	RECEIVED CLASSROOM	CONC	GPT	RB	QUU	PT	-	QUU	PT	-
174	RECEIVED CLASSROOM	CONC	GPT	RB	QUU	PT	-	QUU	PT	-
175	RECEIVED CLASSROOM	CONC	GPT	RB	QUU	PT	-	QUU	PT	-
176	RECEIVED CLASSROOM	CONC	GPT	RB	QUU	PT	-	QUU	PT	-
177	RECEIVED CLASSROOM	CONC	GPT	RB	QUU	PT	-	QUU	PT	-
178	RECEIVED CLASSROOM	CONC	GPT	RB	QUU	PT	-	QUU	PT	-
179	RECEIVED CLASSROOM	CONC	GPT	RB	QUU	PT	-	QUU	PT	-
180	RECEIVED CLASSROOM	CONC	GPT	RB	QUU	PT	-	QUU	PT	-

**ABBREVIATIONS FOR ROOM FINISH SCHEDULE**

CPT = CORECT	PT = PAINT	(MSP) = WATER RESISTANT GYPSUM BOARD
RB = RESILIENT BASE	QUU = CONCRETE MASONRY UNITS	EPY = EPOXY PAINT
WCT = W/VT COMPOSITION TILE	CT = CERAMIC TILE	EXP = EXPOSED STRUCTURE
CONC = CONCRETE	SC = SEALED CONCRETE 3-COAT SYSTEM	GYP = GYPSUM BOARD
		ACT = ACUSTIC CEILING TILE IN SUSPENDED METAL GRID
		TRAD = TRAD COND MAT BY COLLINS & ANMAN
		FSL = FORMED SHEET LINOLEUM W/ WELDED SEAMS



**MELVIN & ASSOCIATES**  
ARCHITECTS, P.C.  
5570 East Yale Avenue  
Denver, CO 80222  
Phone: 303-481-2846  
Fax: 303-798-1089

**CONSULTANTS:**  
**STRUCTURAL ENGINEER**  
Simons Design Group  
12138 West Bayaud Avenue  
Suite 102  
Lakewood, CO 80228  
303-994-4699 Fax  
Contact: Joe Simons P.E.  
**MECHANICAL ENGINEER**  
Green & Associates, Inc  
733 South  
Suite 201  
Lakewood, CO 80228  
303-716-1270  
Contact: Jeff A. Green P.E.  
**ELECTRICAL ENGINEER**  
Alber Engineering Inc  
10489 Bradford Rd #102  
Littleton, CO 80127  
303-887-2804 Fax  
Contact: Clarence Bernell

**PROJECT TITLE:**  
Classroom Addition & Cafeteria Renovation for Cache La Poudre Elementary School  
Poudre School District

**ISSUED**  
04-06-06  
REVISIONS  
05-01-06  
05-08-06  
RECORD DOCUMENTS 06-08-07

**TITLE**  
ROOM FINISH  
INTERIOR ELEVATIONS  
& SOLATUBE DETAILS  
**A-12**  
SHEET A-12 OF 24